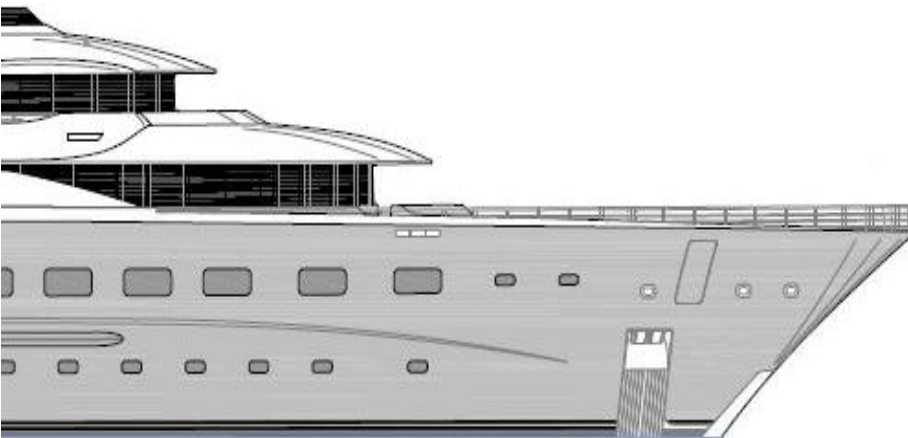




FUCHS

FÖRDERTECHNIK

FUCHS MAN-RIDING HOOKS FOR LUXURY YACHTS



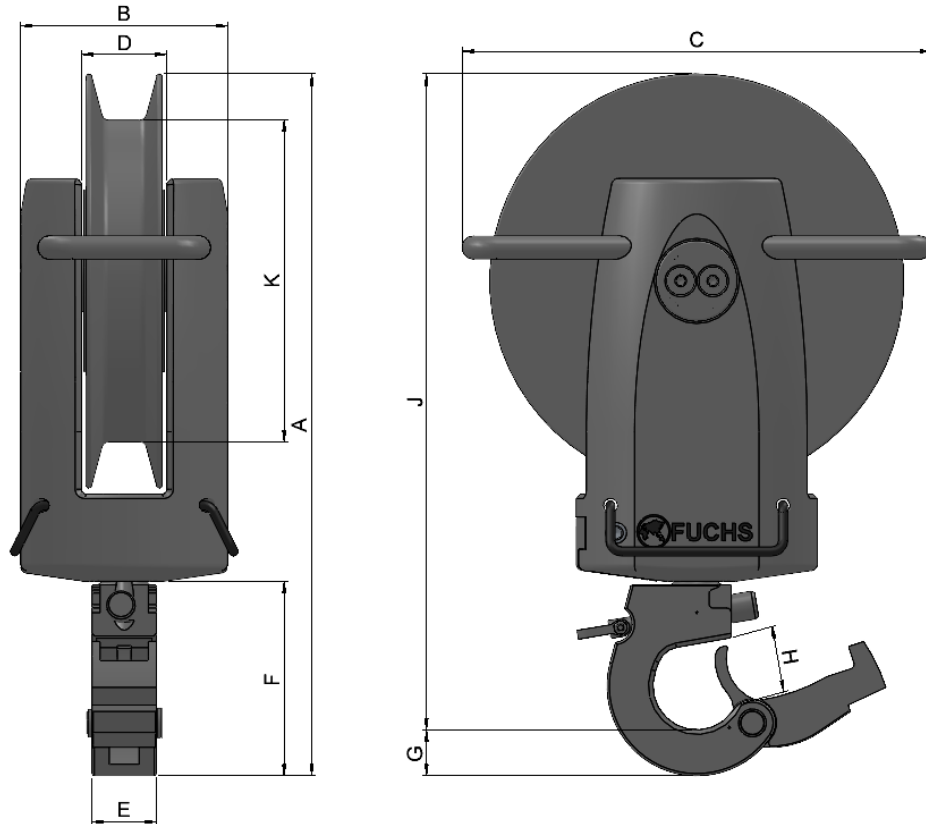
THE INTELLIGENT HOOK SYSTEM:

- Type approved by DNV GL
- Usable for man-riding and normal load cases
- Compact design with low headroom and integrated hook weight (size S, M or L)
- Swivel hook for fibre ropes
- Self-locking when hook is loaded
- Easy and ergonomic unlocking
- Safety factor 6x SWL
- Forged stainless steel
- High gloss polished





TECHNICAL SPECIFICATION:



Type	SWL max.[t]	Dimension [mm]										Rope Diameter ø [mm]	Approx. Weight [kg]	Art. No.
		A	B	C	D	E	F	G	H	J	K			
FH1-2/1 (L)	4	305	90	204	33	28	83	20	28	285	140	12	8,9	FF-107811
FH1-2/1 (L)	4	305	90	204	33	28	83	20	28	285	140	14	8,9	FF-107823
FH2-2/1 (S)	5	391	145	208	44	38	137,5	32,5	49,5	358,5	140	12	28,6	FF-106122
FH2-2/1 (S)	5	391	145	208	44	38	137,5	32,5	49,5	358,5	140	14	28,6	FF-106134
FH2-2/1 (S)	5	391	145	208	44	38	137,5	32,5	49,5	358,5	140	16	28,6	FF-106137
FH2-2/1 (M)	6	417	145	234	44	38	137,5	32,5	49,5	384,6	160	14	30,4	FF-106140
FH2-2/1 (M)	6	417	145	234	44	38	137,5	32,5	49,5	384,6	160	16	30,4	FF-106146
FH2-2/1 (M)	6	417	145	234	44	38	137,5	32,5	49,5	384,6	160	18	30,4	FF-106149
FH2-2/1 (L)	8	443	145	260	50	38	137,5	32,5	49,5	410,5	180	16	32,2	FF-106155
FH2-2/1 (L)	8	443	145	260	50	38	137,5	32,5	49,5	410,5	180	18	32,2	FF-106158
FH2-2/1 (L)	8	443	145	260	50	38	137,5	32,5	49,5	410,5	180	20	32,2	FF-106161